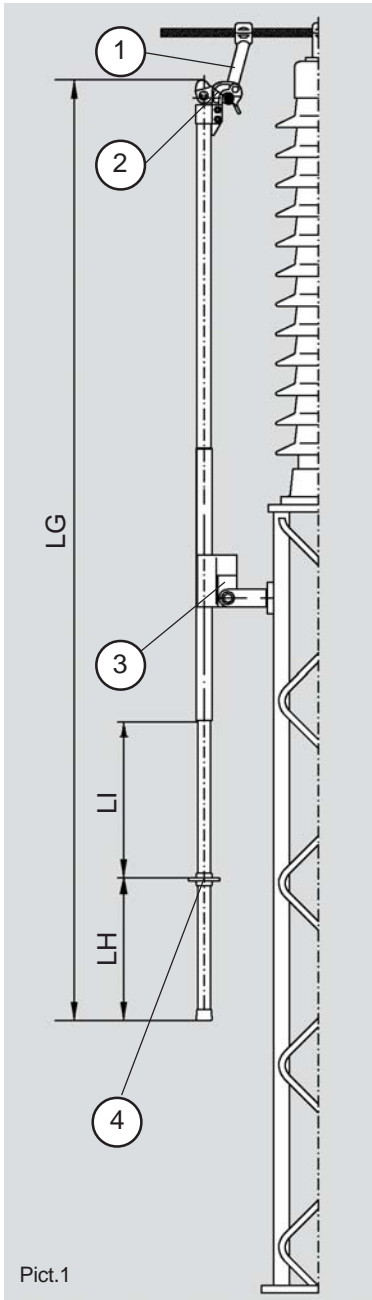




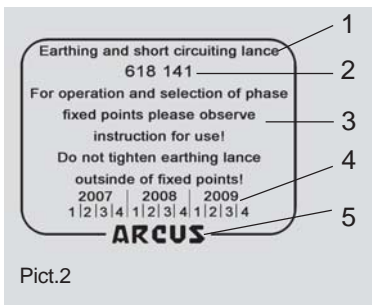
# Instruction for use

for single pole lance earthing and short circuiting devices with restricted guidance

GA87GB-04.10



Pict.1



Pict.2

### Standards:

ARCUS Lance Earthing Devices are in conformance with IEC 1219.

**Climatic class:** N (-25 °C up to +70 °C)

### Design (picture 1):

- |                         |                        |
|-------------------------|------------------------|
| 1. Phase fixed point *) | LG= Total length       |
| 2. Clamp head           | LI = Insulating length |
| 3. Earth fixed point    | LH= Handle             |
| 4. Hand protection disk |                        |

\*) Additional measures may need to be provided on site to prevent partial discharges.

### Labels (picture 2):

1. Product denomination
2. Type number of earthing lance
3. Hints for professional operation
4. Year of construction/Quarter year
5. Manufacturer

### Required qualification of installation personnel:

Installation and maintenance of lance earthing devices is to be carried out only by electricians or an electrotechnically trained person, as per EN 50110-1. It is to be secured that the operating person was trained for the task before start of work !

### Storage and transport of earthing lances:

The earthing lance is to be stored in dry and cleaned condition. Wet earthing lances are to be dried with a soft, non-fraying and clean cloth before storage. During transport secure protection of earthing lance against impact and surface damage ! Earthing lances are to be transported in horizontal position (e.g. with a suitable vehicle) !

### Prevention of dangers:

For usage of earthing lances, observance of EN50110-1 is required to prevent dangers !

Before each usage, earthing lances are to be examined for their faultless condition !

Usage of earthing lances is permitted only on disconnected electric installation parts which have been tested for absence of voltage !

Earthing lances must be used only in those electric installations, for whose short circuit currents and times they are rated !

Full short circuit carrying capacity of earthing lances can only be guaranteed when contact surfaces between earthing lance, phase fixed point (1) and earth fixed point (3) are kept clean.

For protection and as lubricant we recommend GLEITMO 300 spray to be sprayed to the contact surfaces about once a year.

Those earthing lances and fixed points (1, 3) which have been charged with a short circuit, are to be withdrawn from further usage !

Disconnected installation parts may carry substantial residual voltages. Consequently for short circuiting the earthing lance must only be held underneath the black hand protection disk (4), in the area of the handle LH. The insulating part (LI) will offer sufficient protection against residual voltages.

**ARCUS ELEKTROTECHNIK**

**ALOIS SCHIFFMANN GMBH**

Phone  
General  
+49 (0) 89 / 436 04-0

Fax  
General  
+49 (0) 89 / 431 68 88

Fax  
Sales Department  
+49 (0) 89 / 436 04 73

Seat of the Company  
Truderinger Str. 199  
D-81673 Munich

Internet  
www.ARCUS-Schiffmann.com  
info@ARCUS-Schiffmann.com

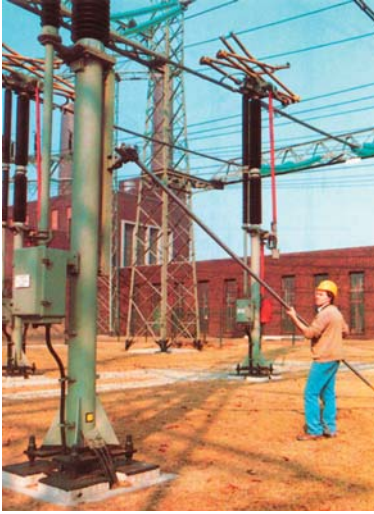


# Instruction for use

for single pole lance earthing and short circuiting devices  
with restricted guidance

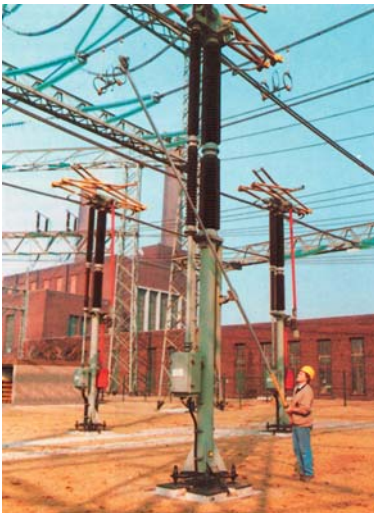
GA87GB-04.10

## Installation of earthing lance:



### Insert the earthing lance into the earth fixed point

The operating person lifts the earthing lance at the top metal half of rod and inserts the tip of the earthing lance into the contact sleeve of the earth fixed point. The lower end of the earthing lance still remains on the ground.



### Lifting the earthing lance

The operating person holds the earthing lance underneath the hand protection disk and swings the earthing lance towards the phase fixed point.



### Tightening the earthing lance

Now the earthing lance has contacted the phase fixed point and is still hanging loosely. Next the earthing lance is tightened to the fixed points by rotating the handle (LH). The recommended torque is 15 Nm.

**ARCUS ELEKTROTECHNIK**

**ALOIS SCHIFFMANN GMBH**

Phone  
General  
+49 (0) 89 / 436 04-0

Fax  
General  
+49 (0) 89 / 431 68 88

Fax  
Sales Department  
+49 (0) 89 / 436 04 73

Seat of the Company  
Truderinger Str. 199  
D-81673 Munich

Internet  
[www.ARCUS-Schiffmann.com](http://www.ARCUS-Schiffmann.com)  
[info@ARCUS-Schiffmann.com](mailto:info@ARCUS-Schiffmann.com)