

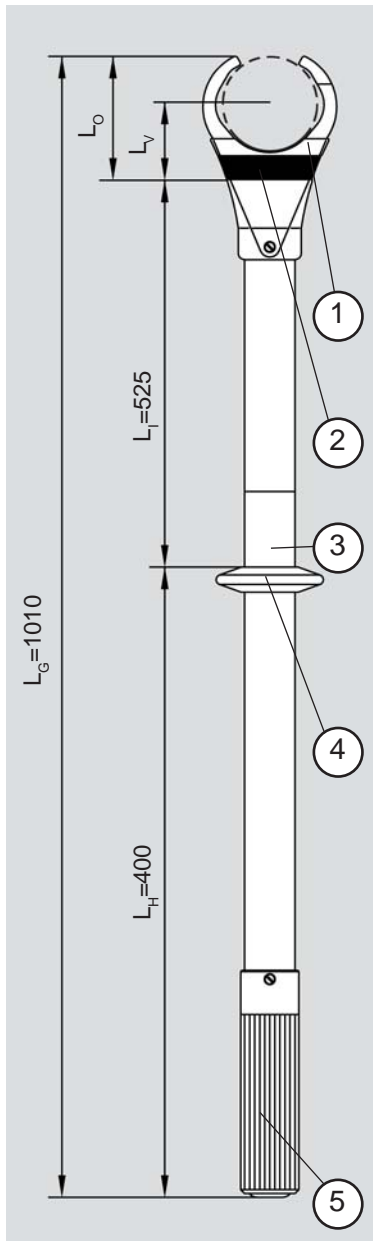


# INSTRUCTION FOR USE

## FUSE TONGS ACCORDING TO DIN VDE V 0681-3

GA63GB-10.19

1/4



### 1. General

This instruction for use is to be read and to be observed before working with the fuse tong!

Keep this instruction for use to have information available when required. In case you will hand over the fuse tong to another person, include the instruction for use!

### 2. Construction of the fuse tong

Fuse tongs are operating rods according to DIN VDE V 0681 part 3 with an operating head designed to insert and to pull out high voltage HH-fuses (HH-fuses).

Your fuse tong is designed as one-part rod. It is composed of a turning handle (5), handle section LH, limitation disc (4), insulating section LI, red ring (2), length of the top part LO between operating head (1) and red ring (2), and extension part LV with operating head (1) to take up the HH-fuse.

The turning handle (5) enables opening and closure of the clamp jaws of the operating head (1).

During operation, the fuse tong is to be held at the handle section LH.

One must not hold the rod above the limitation disc (4)!

The insulating section LI is located between limitation disc (4) and red ring (2). It offers the user the required protective distance and sufficient insulation towards live installation parts.

The extension part LV, between operating head (1) up to the red ring (2), may be positioned on earthed or live installation parts.



### 3. Required qualification of operating personnel

Operation and maintenance of fuse tongs is to be carried out only by electricians or specially trained personnel following EN 50110-1 or the standardised safety rules of the respective country. Further it needs to be secured that before start of work the operating personnel was trained for this operation!



### 4. Fuse tong: special remarks

Before use of this fuse tong, please examine the label (3) for suitability for its intended usage.

Label: fuse tong:



Marking of tools and equipment for live working

Construction: for indoor

Information for professional use

Product standard

Nominal voltage or nominal voltage range

Year and quarter of production

Manufacturer

[1.] Operating head

[2.] Red ring

[3.] Label

[4.] Limitation disc

[5.] Turning handle

**ARCUS ELEKTROTECHNIK**

**ALOIS SCHIFFMANN GMBH**

Phone

General

+49 (0) 89 / 436 04-0

Fax

General

+49 (0) 89 / 431 68 88

Fax

Sales Department

+49 (0) 89 / 436 04 73

Seat of the Company

Truderinger Str. 199

D-81673 Munich

Internet

www.ARCUS-Schiffmann.com

info@ARCUS-Schiffmann.com



# INSTRUCTION FOR USE

FUSE TONGS ACCORDING TO DIN VDE V 0681-3

GA63GB-10.19

2/4

## 5. Use of the fuse tong

Use of fuse tongs is considered as live working. Related valid regulations and guidelines for live working are to be observed!



For risk prevention when fuse tongs are used, observe:  
EN 50110-1 >>Operation of Electrical Installations<<,  
DGUV Regulation 1 >>Principles of Prevention<<,  
DGUV Regulation 3 >>Accident Prevention Regulation – Electrical Installations and Equipment<<,  
DGUV Rule 103-011 >>Live Working on Electrical Installations and Equipment<<,  
and internal company regulations, when applicable!  
Use the fuse tong solely for short-term work on live equipment!

### Usage in factory-built type-tested installations:

Fuse tongs may be used in factory-built type-tested installations, for example to DIN EN 62271-200 and DIN EN 62271-201, under limited conditions. Users of fuse tongs or operators of respective switchgear are to contact the manufacturer, whether fuse tongs may be used and where.



## 6. Safety information

- Use the complete available personal protection equipment for live working!
- Directly before each use fuse tongs are to be examined for faultless function and visible damages!
- Fuse tongs marked “for indoor use“ may be used in indoor installations and outdoors, but must not be used in case of precipitation! Precipitation is any kind of weather that causes forming of moisture or drops on the surface of the insulating rod. This includes fog.
- Labels, marks, and instruction for use of fuse tongs are to be observed.

## 7. Unpacking and examination

The fuse tong is packed to be protected against normal impact and damage during transport. Unpack and examine the fuse tong as follows:

- Unpack the fuse tong and make sure you have received all parts listed on the packing list.
- Examine the fuse tong for damages from transportation.  
In case packing is damaged and you have to expect damage or loss of supplied parts, this is to be noted on the delivery documents, otherwise insurance will not pay! If shipment is packed orderly and parts are damaged or missing, please contact ARCUS Schiffmann.

## 8. Storage and transport of the fuse tong

The fuse tong is to be stored in clean and dry condition.

A wet fuse tong must be dried with a soft, lint-free, and clean cloth before storage. Make sure that the fuse tong is protected against shock, impact, and damage of surface!

**ARCUS ELEKTROTECHNIK**

**ALOIS SCHIFFMANN GMBH**

Phone  
General  
+49 (0) 89 / 436 04-0

Fax  
General  
+49 (0) 89 / 431 68 88

Fax  
Sales Department  
+49 (0) 89 / 436 04 73

Seat of the Company  
Truderinger Str. 199  
D-81673 Munich

Internet  
www.ARCUS-Schiffmann.com  
info@ARCUS-Schiffmann.com



# INSTRUCTION FOR USE

## FUSE TONGS ACCORDING TO DIN VDE V 0681-3

GA63GB-10.19

3/4



### 9. Application of the fuse tong

- Fuse tongs marked "Do not use in case of precipitation" have to be dried before use in case they became wet!
- Soiled fuse tongs have to be cleaned before use!
- For use, fuse tongs are to be held only in the handle area LH and must be operated under consideration of the required safety distance to all live installation parts!
- Fuse tongs must only be operated from a safe position!
- The fuse tong may be used in any usage position.
- Fuse tongs must only be used for HH-fuses with outer diameter Ø50-90 mm and a maximum weight of 10 kg!
- Make sure that HH-fuses are tightly clamped inside the fuse tong when inserted into or pulled out from the fuse holder! A torque of 15Nm must not be exceeded!
- Make sure that the HH-fuse first is set into the first contact clip and next into the second contact clip of the fuse holder by a pivoting movement.  
To pull out the HH-fuse, these steps are to be carried out in reversed sequence.

### 10. Maintenance and care

The fuse tong is to be treated carefully and protected against damage and soiling to maintain its insulation properties.

#### Cleaning:

Clean the fuse tong with a soft, lint-free, damp, and clean cloth.

Do not use cleansers or solvents! Afterwards wipe it with a dry cloth.

#### Before each use:

The fuse tong is to be examined by a trained person for detectable damages and soiling! In case parts are damaged and function is affected or labels are illegible, withdraw the fuse tong from further use.



#### Once a year:

To maintain the insulation properties at nearly reconditioned state, treat the fuse tong annually with ARCUS Silicon Grease (type no. 625 004).

### 11. Technical Data

Environmental temperature:	-25 °C up to +55 °C
Humidity:	20 - 96%
Nominal voltage range:	1-36 kV
Outer diameter of the HH-fuse:	Ø50-90 mm
Maximum weight of the HH-fuse:	10 kg
Weight of the fuse tong:	1.810 kg
Standard:	DIN VDE V 0681-3

### 12. Available accessories

ARCUS-Silicone lubricant 100 g		Type no. 625 004
Wall holder for 3 HH-fuses and one fuse tong		Type no. 615 063
Wall holder for 3 HH-fuses		Type no. 615 064

# ARCUS ELEKTROTECHNIK

# ALOIS SCHIFFMANN GMBH

Phone

General

+49 (0) 89 / 436 04-0

Fax

General

+49 (0) 89 / 431 68 88

Fax

Sales Department

+49 (0) 89 / 436 04 73

Seat of the Company

Truderinger Str. 199

D-81673 Munich

Internet

www.ARCUS-Schiffmann.com

info@ARCUS-Schiffmann.com



# INSTRUCTION FOR USE

FUSE TONGS ACCORDING TO DIN VDE V 0681-3

GA63GB-10.19

4/4

## 13. Waste disposal

Observe local regulations for disposal of fuse tongs and packing.

For queries concerning used materials please contact ARCUS Schiffmann.

## 14. Product liability and guarantee

This instruction for use was written with greatest care and examined before publishing.

Basis for guarantee is the proven observation of this instruction for use for storage, assembly, operation, maintenance and care.

Valid are the "General Conditions for the Supply of Products and Services of the Electrical and Electronics Industry".

---

**ARCUS ELEKTROTECHNIK**

**ALOIS SCHIFFMANN GMBH**

**Phone**

General

+49 (0) 89 / 436 04-0

**Fax**

General

+49 (0) 89 / 431 68 88

**Fax**

Sales Department

+49 (0) 89 / 436 04 73

**Seat of the Company**

Truderinger Str. 199

D-81673 Munich

**Internet**

[www.ARCUS-Schiffmann.com](http://www.ARCUS-Schiffmann.com)

[info@ARCUS-Schiffmann.com](mailto:info@ARCUS-Schiffmann.com)