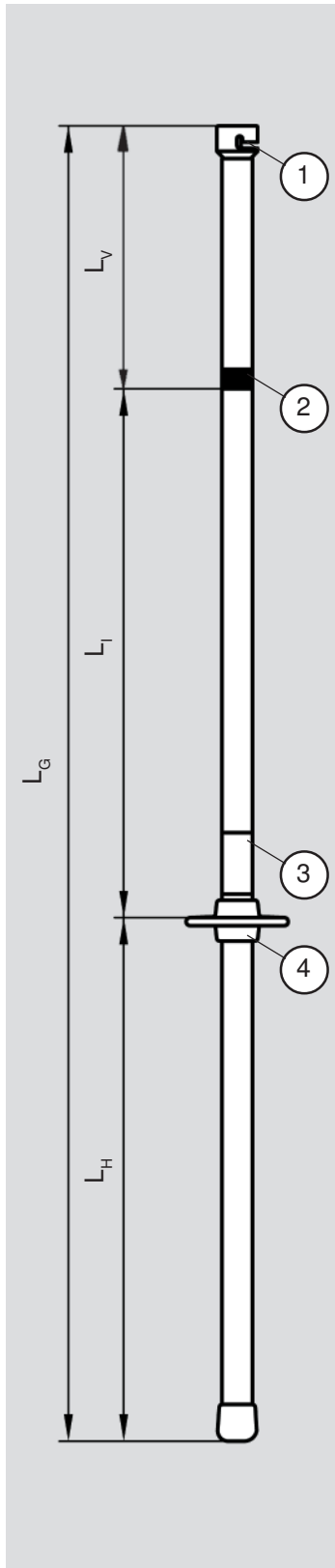




INSTRUCTION FOR USE

Operating rods for applications above 1 kV

GA25GB-08.08



For use of operating rods specially observe regulations of EN 50110-1.

1. Directions for usage, inscriptions, and maintenance

- 1.1 The operating rod must be used only for the nominal voltage or nominal voltage range marked on the label.
- 1.2 The operating rod may be used for temporary working on live installation parts.
- 1.3 An operating rod of construction "not to be used with precipitation!" must only be used in indoor installations or on outdoor installations under the condition that there is no precipitation. Precipitation is any kind of weather that causes moisture or drop formation on the surface of the operating rod. It also refers to fog. An operating rod of construction "Also to be used with precipitation!" must not be used for longer than 1 minute on live parts without interruption.
- 1.4 The operating rod consists of:
 - operating rod head (1) to take up an operating element, for instance a switching head.
 - the insulated part (L_I) between hand protection disk (4) and Red Ring (2). It will give the user the required protective distance and sufficient insulation towards the installation part to be operated.
 - the extension part (L_V) between operating rod head (1) and Red Ring (2). It may be placed onto earthed or live installation parts.
 - the handle section (L_H). The operating rod is to be held only at the handle part (L_H) during usage. It is not permitted to hold the operating rod above the hand protection disk (4).
 - label (3) with information about nominal voltage or nominal voltage range, and construction.
- 1.5 The operating rod may be used in any usage position.
- 1.6 Before use the operating rod is to be examined by a trained person for detectable damages and soiling. In case of damaged parts or illegible label, do not use the operating rod.
- 1.7 For safety reasons it is recommended to examine the faultless condition of the operating rod by means of routine tests (insulating properties, bridging safety). In case the specified values of VDE 0681 are not met, the operating rod must be withdrawn from further use.

2. Directions for usage

- Extract from general regulations EN50110-1:
- a) Operations with operating rods are only to be carried out by a qualified or trained person.
 - b) Operating rods are to be used only from a safe position when the user is at a sufficient distance from live installation parts, not to be endangered.
 - c) Operating rods are to be stored in dry condition.
 - d) Labels, marks and instruction for use of operating rods are to be observed.
 - e) Operating rod heads, such as switching heads, which are designed for mounting to operating rods, are only to be used with the suitable rod.
 - f) The relevant regulations of the Institution for Statutory Accident Insurance and Prevention are to be observed.

ARCUS ELEKTROTECHNIK

ALOIS SCHIFFMANN GMBH

Phone
General
+49 (0) 89 / 436 04-0

Fax
General
+49 (0) 89 / 431 68 88

Fax
Sales Department
+49 (0) 89 / 436 04 73

Seat of the Company
Truderinger Str. 199
D-81673 Munich

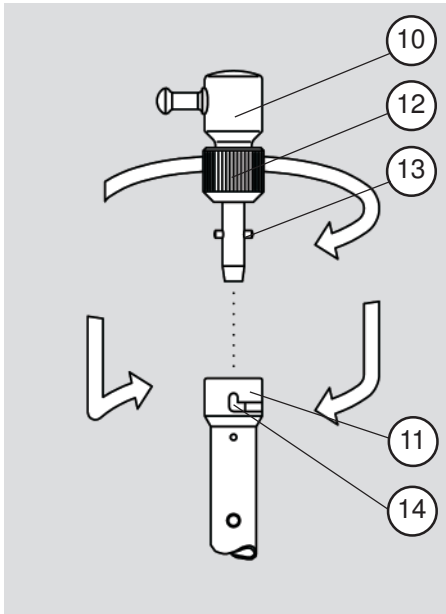
Internet
www.ARCUS-Schiffmann.de
info@ARCUS-Schiffmann.de



INSTRUCTION FOR USE

Operating rods for applications above 1 kV

GA25GB-08.08



3. Maintenance

- 3.1 The operating rod is to be used with care and is to be protected against damages and soiling (for instance by varnish, metal abrasion, and others).
- 3.2 A wet operating rod is to be rubbed dry with a soft, lint-free and clean cloth.
- 3.3 An operating rod "not to be used with precipitation!" is to be dried before usage, in case it is wet.
- 3.4 With respect to insulating properties, an operating rod can be reconditioned by treating the surface with ARCUS Silicone Paste (Type No. 625 004) about once a year.

4. Assembly Instruction

- 4.1 Operating rods with bayonet head (11) to take up suitable tools, under live working conditions must only be used to move smooth-running parts.

Example: Fastening of a tool, e.g. a switching rod head (10,12,13) in the bayonet head (11) of an operating rod:

- Turn knurled nut (12) in direction of switching head until it blocks.
- Insert switching rod head (10,12,13) into grooves of bayonet head (11) and rotate by 90° until it blocks.
- Turn knurled nut downwards (12) and tighten it. The bayonet pin of the spindle (13) needs to be locked in the notch (14) of the bayonet head (11).

- 4.2 Multi-section operating rods with plug-in system are to be assembled according to their labels.

Example: 4-section operating rod

Head part

Top part

Mid section

Bottom part

- 4.3 Telescopic operating rods are to be used only in completely extended condition!

5. Usage in factory-built type-tested installations

Operating rods may be used in factory-built type-tested installations under limited conditions, as they were designed according to the minimum distances of HD 637 S1, and its clearances of the discharge level. Users of operating rods or operators of respective installations are to contact the manufacturer, whether operating rods may be used and where.

6. Available spare parts and accessories

Switching rod head to DIN 57681 part 2
ARCUS Silicone Paste 100 g

Type No. 509 053

Type No. 625 004

Information about further accessories on request.

ARCUS ELEKTROTECHNIK

ALOIS SCHIFFMANN GMBH

Phone

General

+49 (0) 89 / 436 04-0

Fax

General

+49 (0) 89 / 431 68 88

Fax

Sales Department

+49 (0) 89 / 436 04 73

Seat of the Company

Truderinger Str. 199

D-81673 Munich

Internet

www.ARCUS-Schiffmann.de

info@ARCUS-Schiffmann.de