



Questionnaire for Short Circuiter for Underground Railways

To prepare an offer, please fill in this questionnaire as detailed as possible and return by fax, post or e-mail.

Fax +49 89 / 4 36 04 73
 Post ARCUS ELEKTROTECHNIK Alois Schiffmann GmbH • Truderinger Straße 199 • 81673 Munich/Germany
 E-mail info@arcus-schiffmann.com

Contact Information

Last name	First name
Company	Department
Street, number	Zip code, town
Phone	Fax
E-mail	Web

Earthing point

Name / Location of the railtrack

Nominal voltage [kV]

Rated short circuit current / Rated time [kA/s]

Profile of current rail Attached drawing

Profile of running rail Attached drawing

Horizontal distance centre to centre of rails C [mm]

Vertical distance surface to surface of rails D [mm]

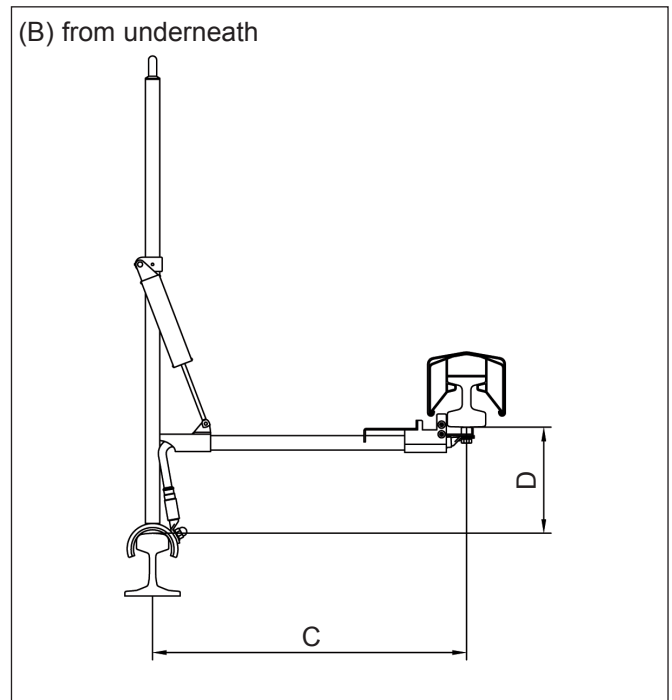
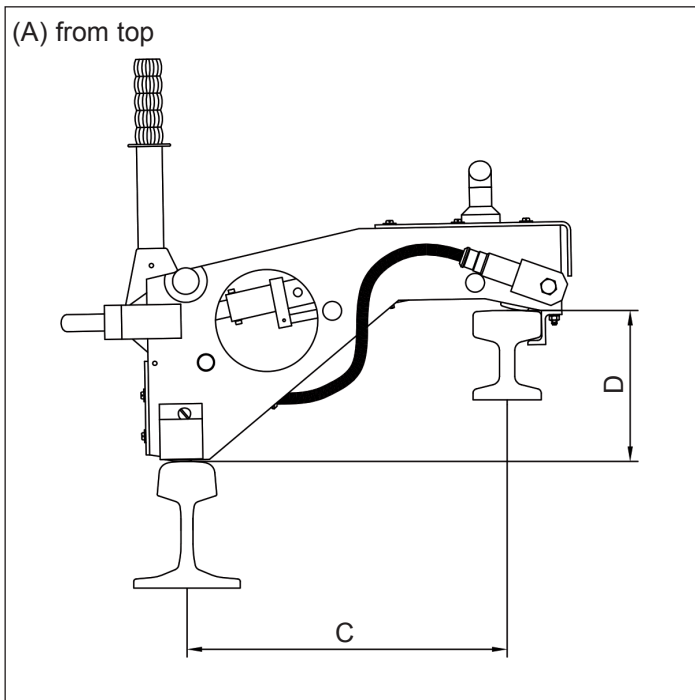
Earthing point (continued)

Current rail is contacted (A) from top (B) from underneath

Is the current rail covered? Attached drawing

Any limits for maximum sizes?

Others



Others

Required quantity	Required delivery time
Language of documentation	Others

I agree that my data for contacting and queries will be permanently saved.

Date

Signature